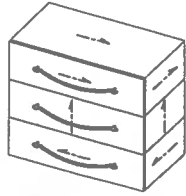
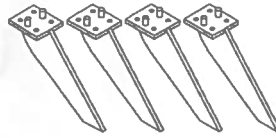


# UTTERMOST

## ASSEMBLY INSTRUCTION FOR ITEM # 50013



① Body = 1 pc



② Metal Legs = 4 pcs



Ⓐ JCBC Bolt M6 x 25mm  
= 16 pcs



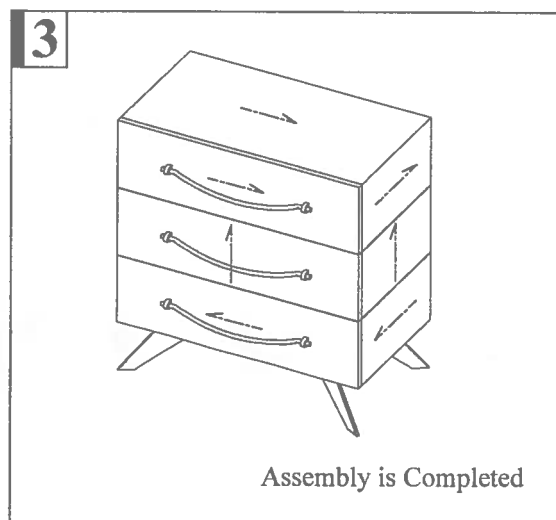
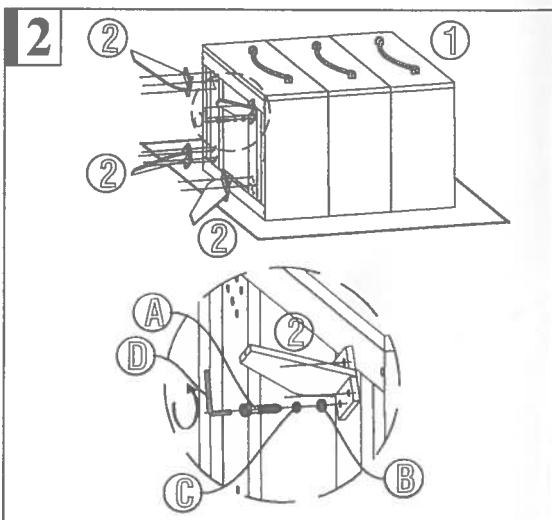
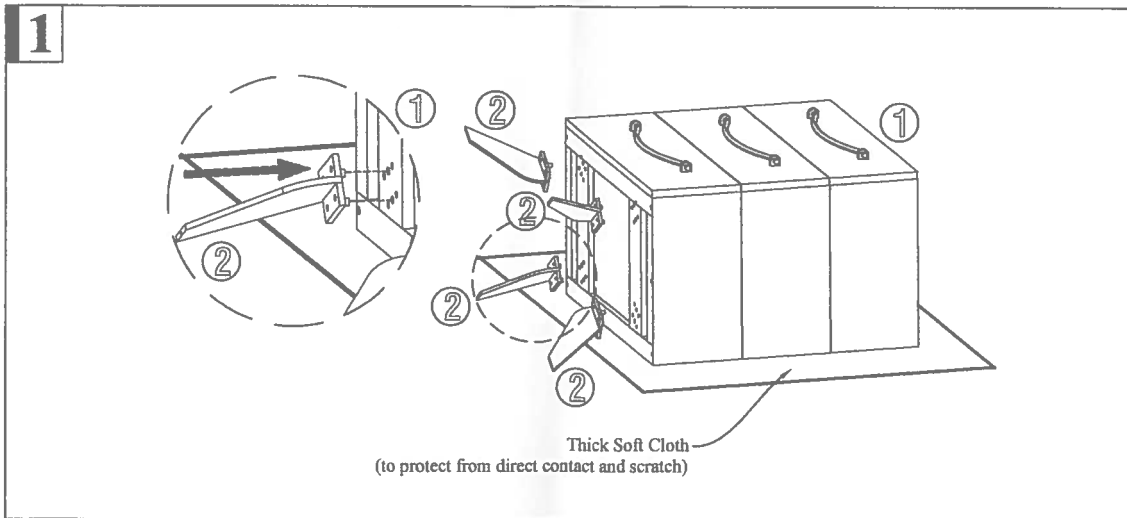
Ⓑ Flat Washer M6  
= 16 pcs



Ⓒ Spring Washer M6  
= 16 pcs



Ⓓ Allen Key 4  
= 1 pc



P.O. Box 558 | 3325 Grassy Hill Road | Rocky Mount, VA | 24151  
[www.uttermost.com](http://www.uttermost.com)

# UTTERMOST

## FURNITURE TIPPING RESTRAINT FOR ITEM # 50013



① Body = 1 pc



Ⓐ Screw  $\text{Ø}6 \times \frac{3}{4}$ "  
= 2 pcs



Ⓑ Screw  $\text{Ø}6 \times 1 \frac{1}{2}$ "  
= 2 pcs



Ⓒ Bracket  
= 2 pcs



Ⓓ Retention Belt  
= 1 pc

